

DM 26B - Digital pressure gauge and switch

Digital pressure gauge with switch DM26B is used in/for:

Machine building
 Hydraulics and Pneumatics
 Pumps and Compressors
 Service tasks

NOT SUITABLE FOR MOIST OR WET ENVIRONMENTS



Specifications:

Ranges: 0 / 1 / 2,5 / 4 / 6 / 10 / 16 / 20 / 25 / 40 /
 60 / 100 / 160 / 250 / 600 bar
 -1 / 1,5 / 3 / 5 / 9 / 15 / 19 / 24 / 39 bar

Overpressure protection:

Ranges:
 up to 600bar : 1,5x

Switch: SPST 1.5A

Size: DN 80mm

Material:

connection AISI304 / EN 1.4301
 case ABS plastic

Accuracy:

0,5%
 1% FS BFSL

• Units:

psi
 MPa
 kg/cm²=bar

Ingress protection: IP50, case is not waterproof!

Power supply: 220V AC

Digital Indicator

Type of Indication	:	LED
Digits	:	4-digit
Character size	:	11 mm
Update	:	200 ms
Back lighting	:	NA
C Bargraph with drag Pointer function	:	NA
Rotatability	:	NA

Software Functions

Function	Model	: DM26B
Min/Max Memory	:	NA
Automatic Power-off	:	NA
Tare function	:	NA
Unit change	:	NA
Reset to factory setting	:	NA
Back Lighting	:	NA

Approvals , directives and certificates

EU conformity

Pressure equipment directive 2014/68/EU, PS<200 bar ,Module A, pressure accessory

EMC directive 2004/108/EC interference emission (limit class B) and immunity to EN61326-1

Power supply

Power supply must be provided via external power source of 220VAC

The Operating time is approx. 4000 hours , when using batteries with a capacity of 2000mAh

Operating Conditions

Ingress Protection: IP 50 per IEC 60529

Medium temperatures:

Measuring range <100 bar : -30°C...+85°C

Measuring range ≥100 bar : -30 °C....+85 °C

Ambient : -10 °C....+60°C

Storage : -20 °C....+70°C

Reference Conditions:

Temperature: 15-25°C

Atmospheric Pressure: 860-1060mbar

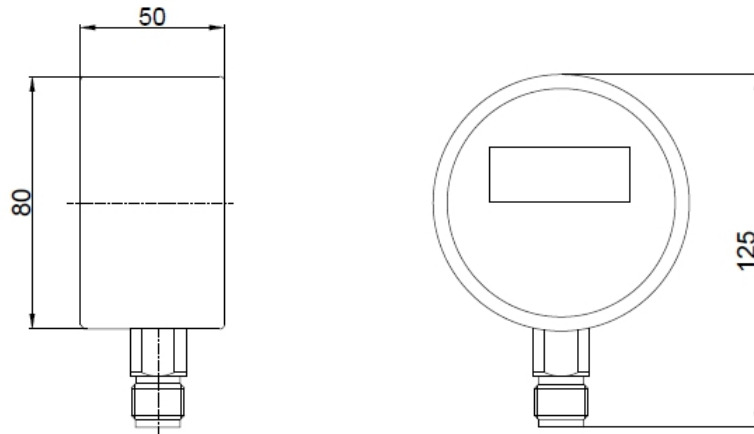
Humidity: <90% rel., non-condensing

Nominal Position: calibrated in vertical mounting position with process connection facing downwards

Process Connection:

Standard	Thread size
DIN 3852-E	G 1/4" A
EN 837	G 1/4" B
	G 1/2" B
ANSI/ASME B1.20.1	1/4"NPT
	1/2"NPT

Dimensions:



Ordering Part #:(sample)

